



RAISED PANEL BED DRAWER

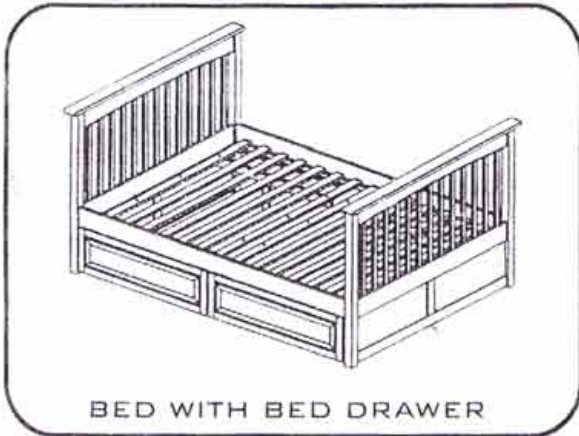
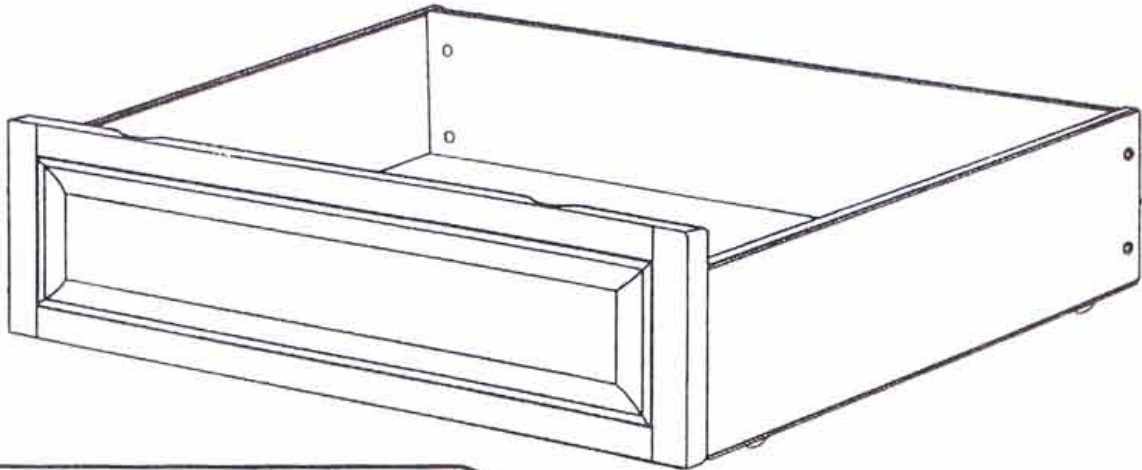


ASSEMBLY INSTRUCTIONS

Thank you for choosing our new Raised panel bed drawer.

This practical design offers the utmost in versatility.

Before assembling your Drawer Bed, please read through these instructions carefully, familiarising yourself with the different parts.



BED WITH BED DRAWER



Assembling by Adult



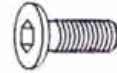
-Allen Key

HARDWARE



A

JCB M6 X 2 1/2" (60mm) - 4 pcs
Fix Drawer side to Drawer Back.



C

JCB M6 X 5/8" (15mm) - 4 pcs
Fix Drawer side to Drawer face



B

Barrel Nut - 4 pcs
For JCB M6 X 2"



D

Allen Key - 1 pcs

PARTS LIST

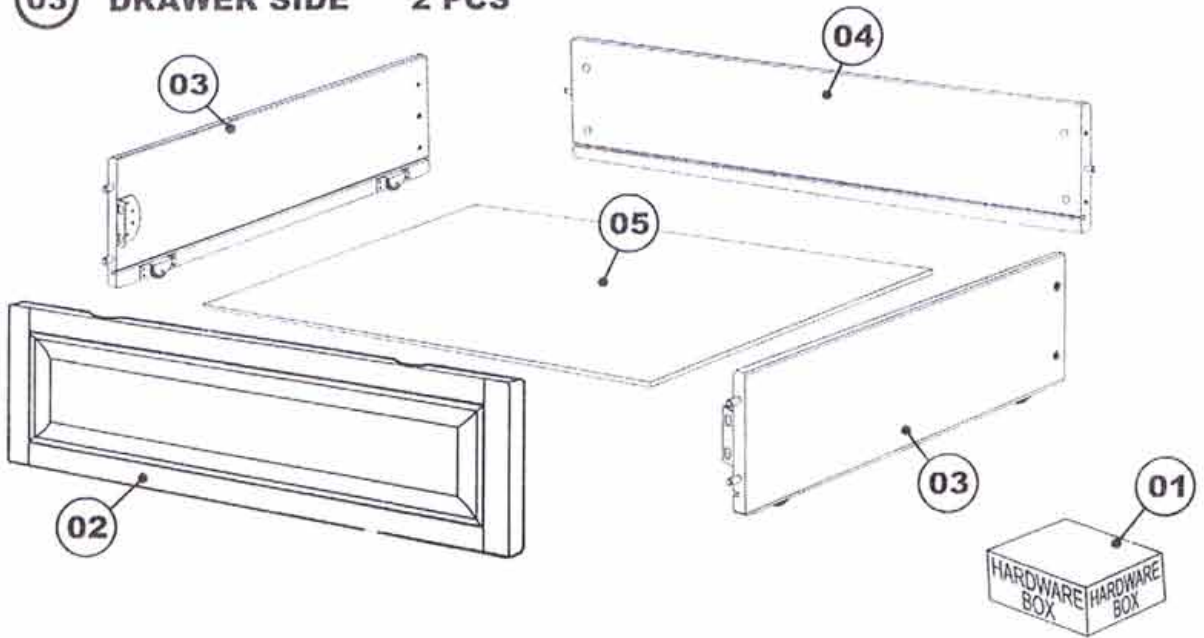
01 HARDWARE 1 BOX

02 DRAWER FACE 1 PCS

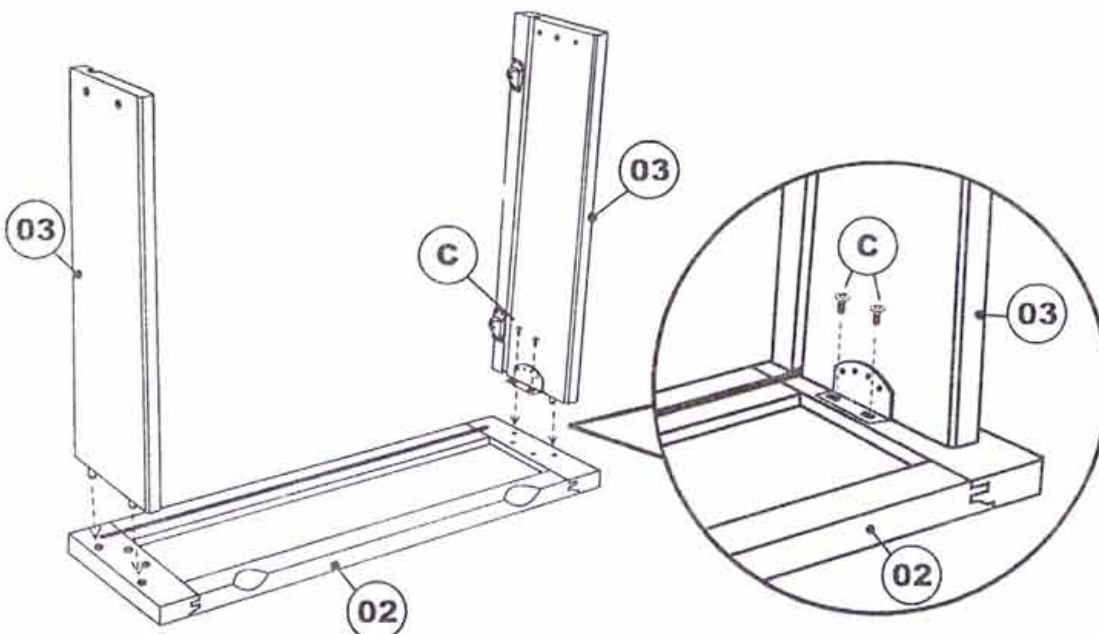
03 DRAWER SIDE 2 PCS

04 DRAWER BACK 1 PCS

05 DRAWER PANEL 1 PCS



STEP 1



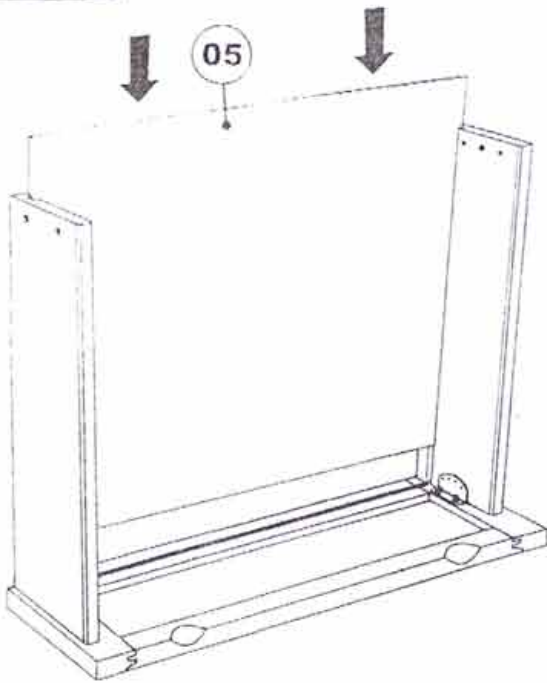
C



JCB M6 X 5/8"

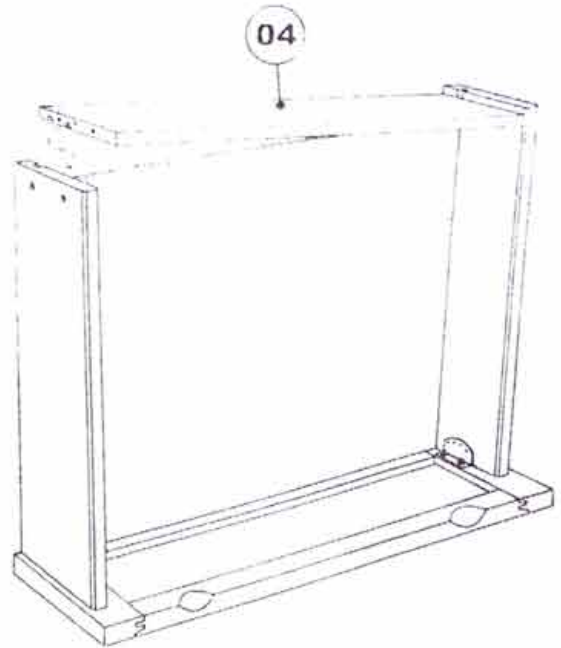
Lay the Drawer Face(02) on smooth, flat surface so the holes and groove are facing upwards. Fit the Drawer Side(03) to Drawer Face(02), fitting the Dowels in the holes. Use JCB M6 X 5/8" (C) to attach the Drawer Side in place, but don't fully tighten these yet. Leave them a bit loose to make fitting the Drawer Back easier.

STEP 2



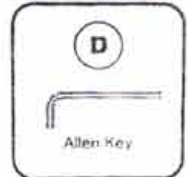
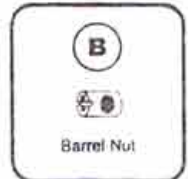
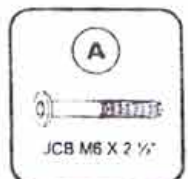
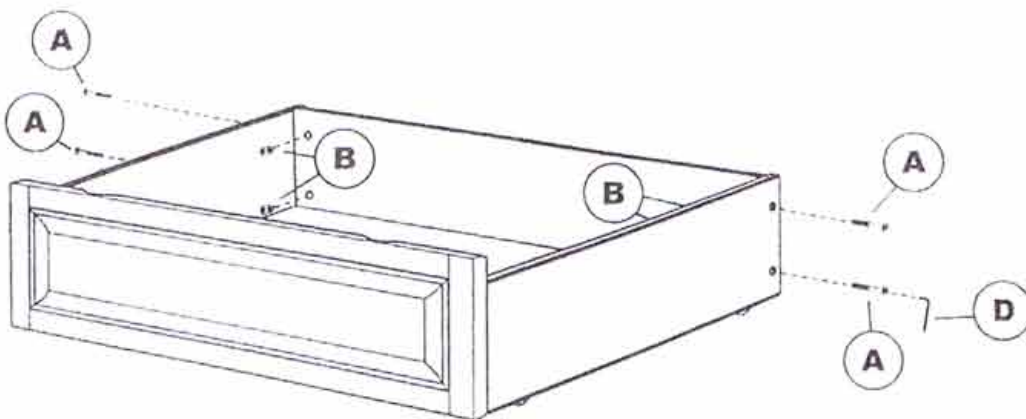
Guide the Drawer Panel(05) in carefully so that it won't jump out of its grooves. Be sure it fits fully into its groove at the bottom(in the Drawer Face) before fitting the Drawer Back.

STEP 3



You will need to spread the Drawer side apart a bit to fit the dowels in the Drawer Back into their holes. Do this gently, please! Remember the JCB in step 1 must be a bit loose. After this, tighten all the JCB on the Drawer Face.

STEP 4



Carefully turn the assembled Drawer down, onto its wheels. Using the JCB M6 X 2 1/2"(A) and Barrel Nuts (B), tighten with the Allen Key (D).



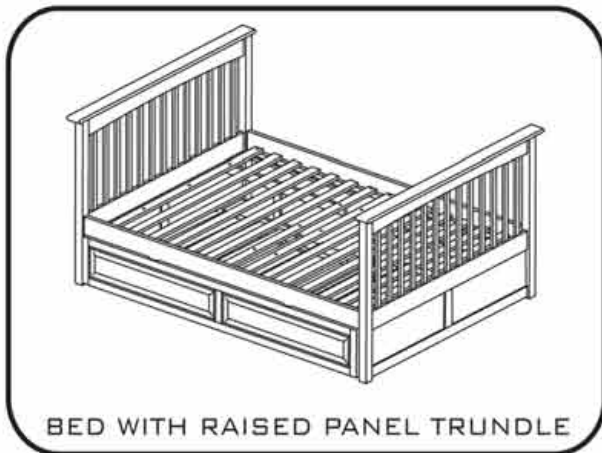
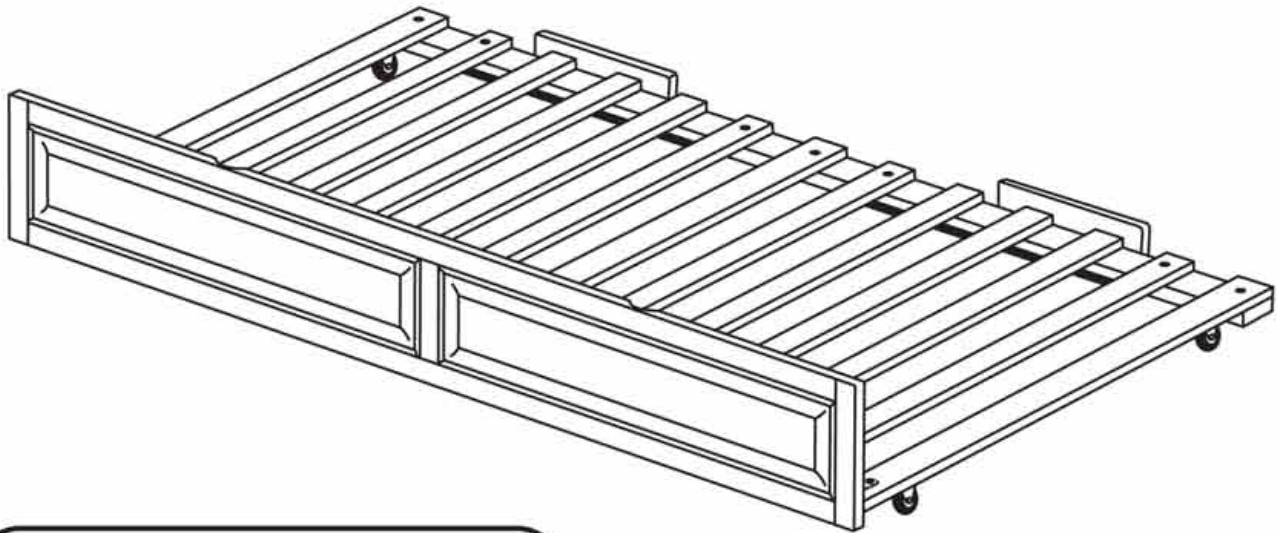
RAISED PANEL TRUNDLE

ATLANTIC
FURNITURE

ASSEMBLY INSTRUCTIONS

Thank you for choosing our new Raised Panel Trundle.
This practical design offers the utmost in versatility.

Before assembling your Raised Panel Trundle, please read through these instructions carefully, familiarising yourself with the different parts.



BED WITH RAISED PANEL TRUNDLE



Assembling by Adult



Allen wrench

HARDWARE



- A** JCB M6 X 2 "(50mm) - 4 pcs
Fix Back Board to Back rail



- B** JCB M6 X 1 1/2"(40mm) - 17 pcs
Fix Side / center cross rail to front / back rail
Fix End Slat to front / back rail



- C** JCB M6 X 5/8"(15mm) - 6 pcs
Fix L Bracket to Front Panel



- D** Barrel Nut - 4 pcs
For JCB M6 X 2"(50mm)



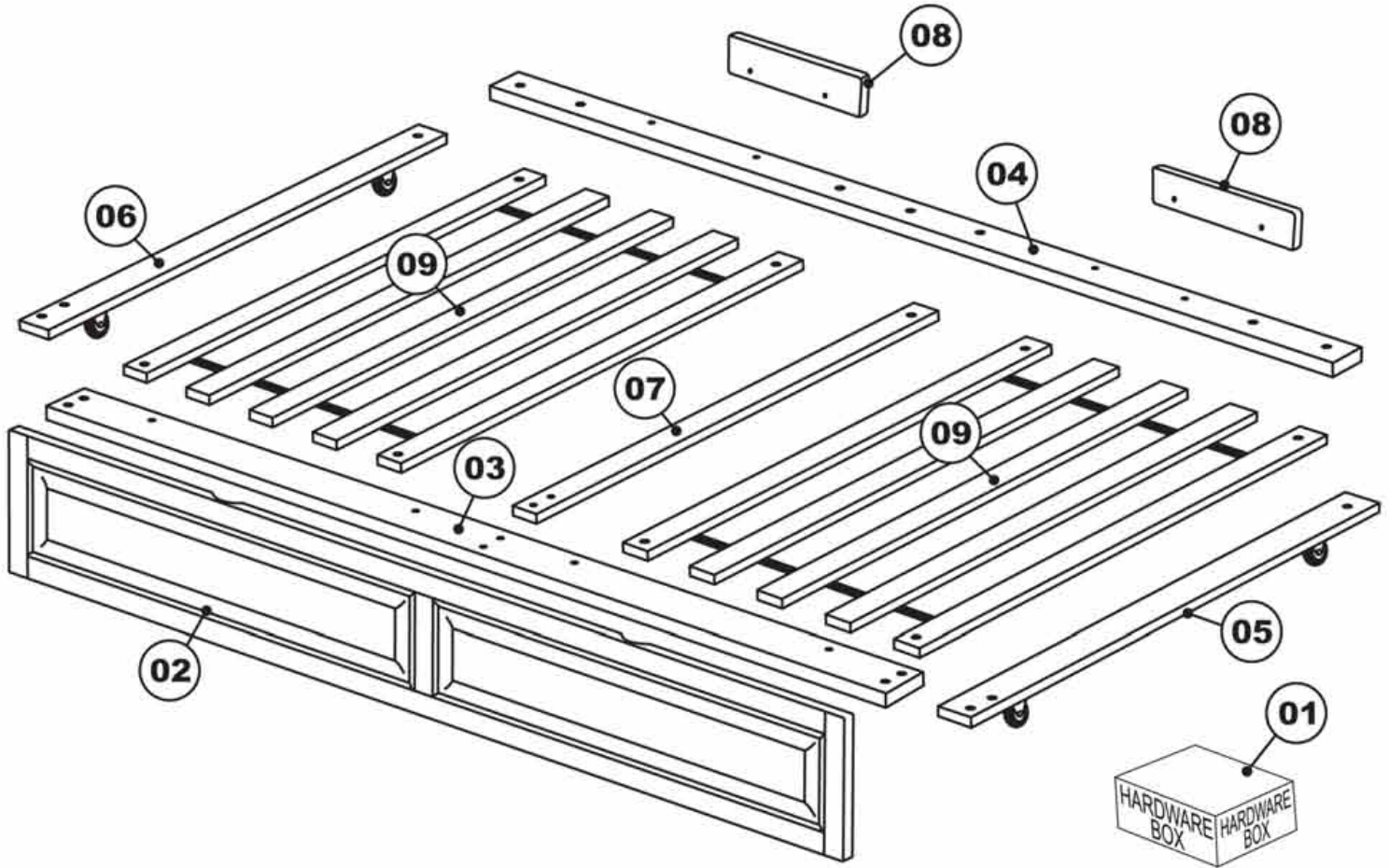
- E** L Bracket - 3 pcs



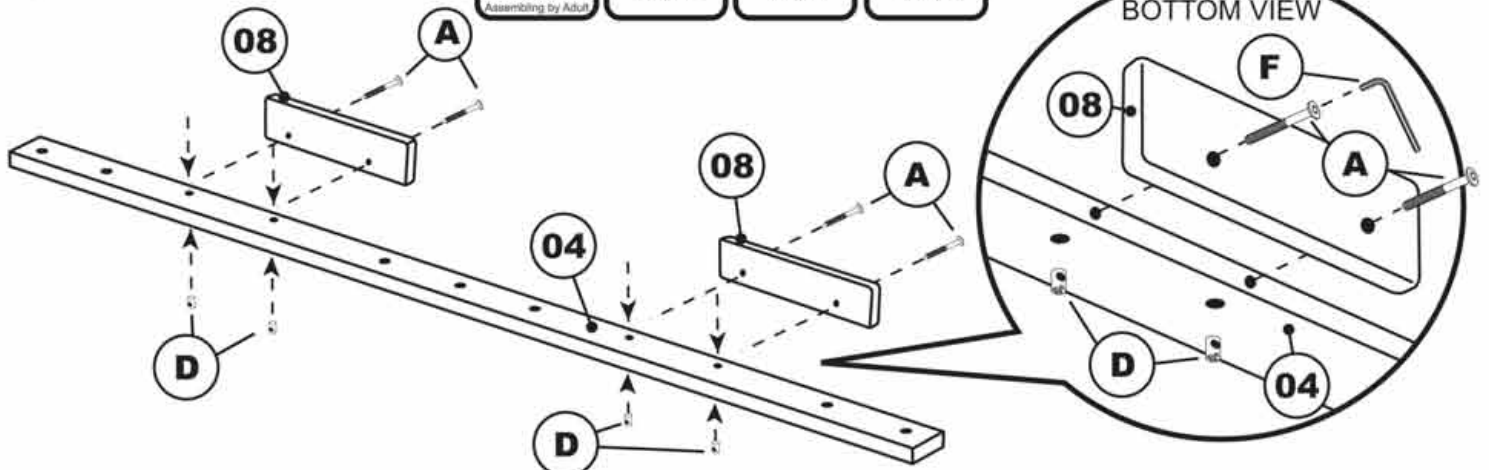
- F** 4mm Allen wrench - 1 pc

PARTS LIST

01	HARDWARE	1 BOX	05	RIGHT SIDE CROSS RAIL	1 PC
02	FRONT PANEL	1 PC	06	LEFT SIDE CROSS RAIL	1 PC
03	FRONT RAIL	1 PC	07	CENTER CROSS RAIL	1 PC
04	BACK RAIL	1 PC	08	BACK BOARDS	2 PCS
			09	SLATS	2 SETS



STEP 1

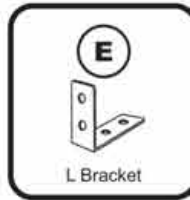


Attach the back boards (08) to the back rail (04), using JCB M6 X 2"(A), and barrel nut (D). Tighten with the Allen wrench (F).

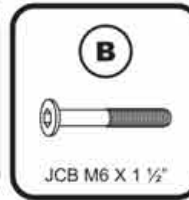
STEP 2



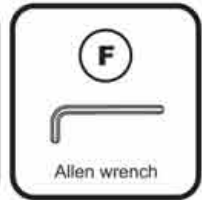
Assembling by Adult



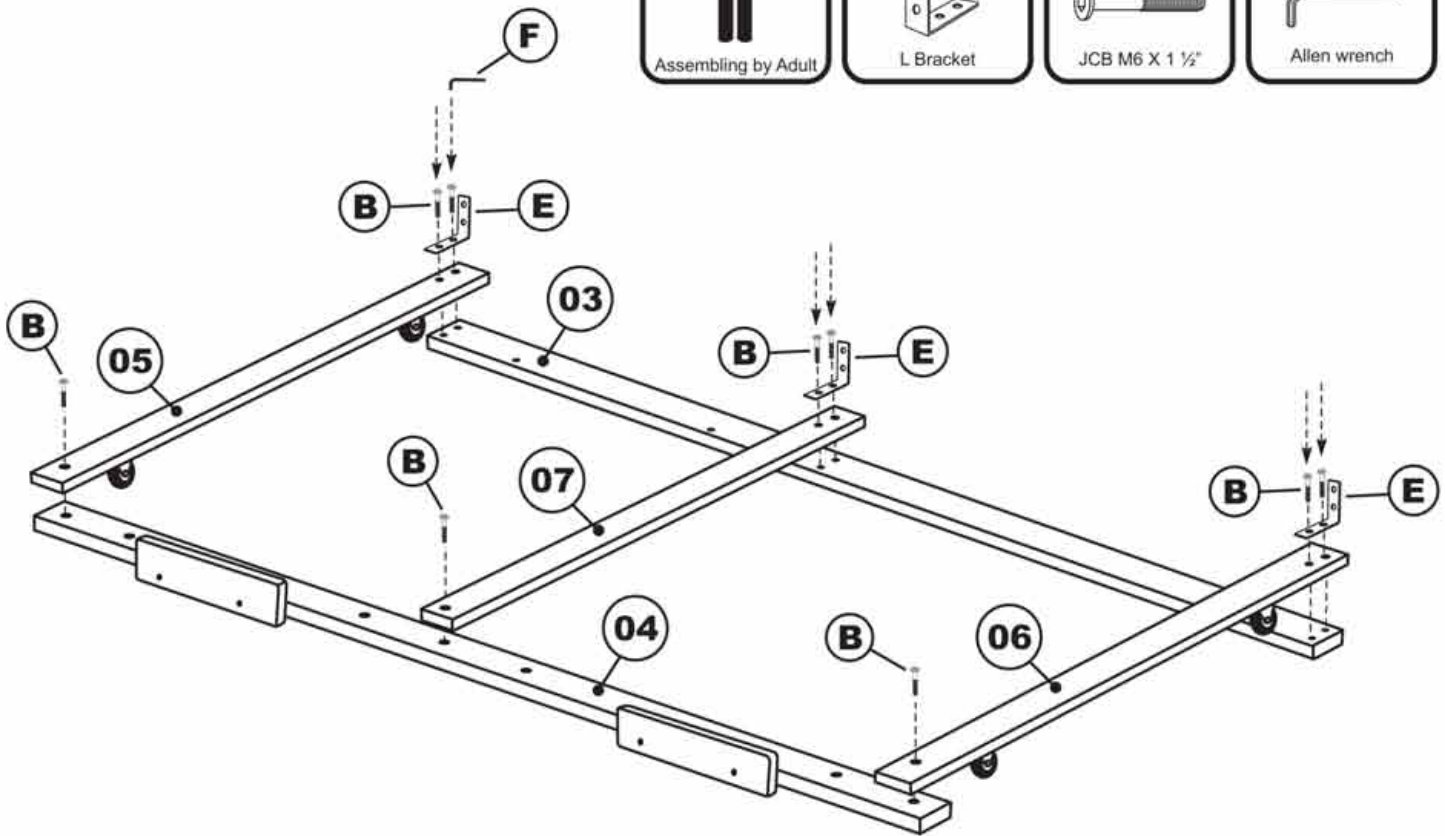
L Bracket



JCB M6 X 1 1/2"



Allen wrench

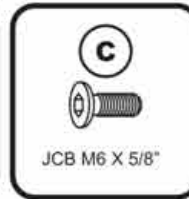


Attach the side/center cross rails (05,06+07) to the front rail (03) and back rail (04), using L bracket (E) and JCB M6 X 1 1/2" (B) as shown. Tighten with the Allen wrench (F).

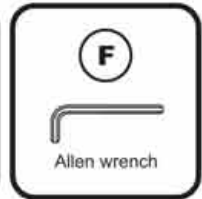
STEP 3



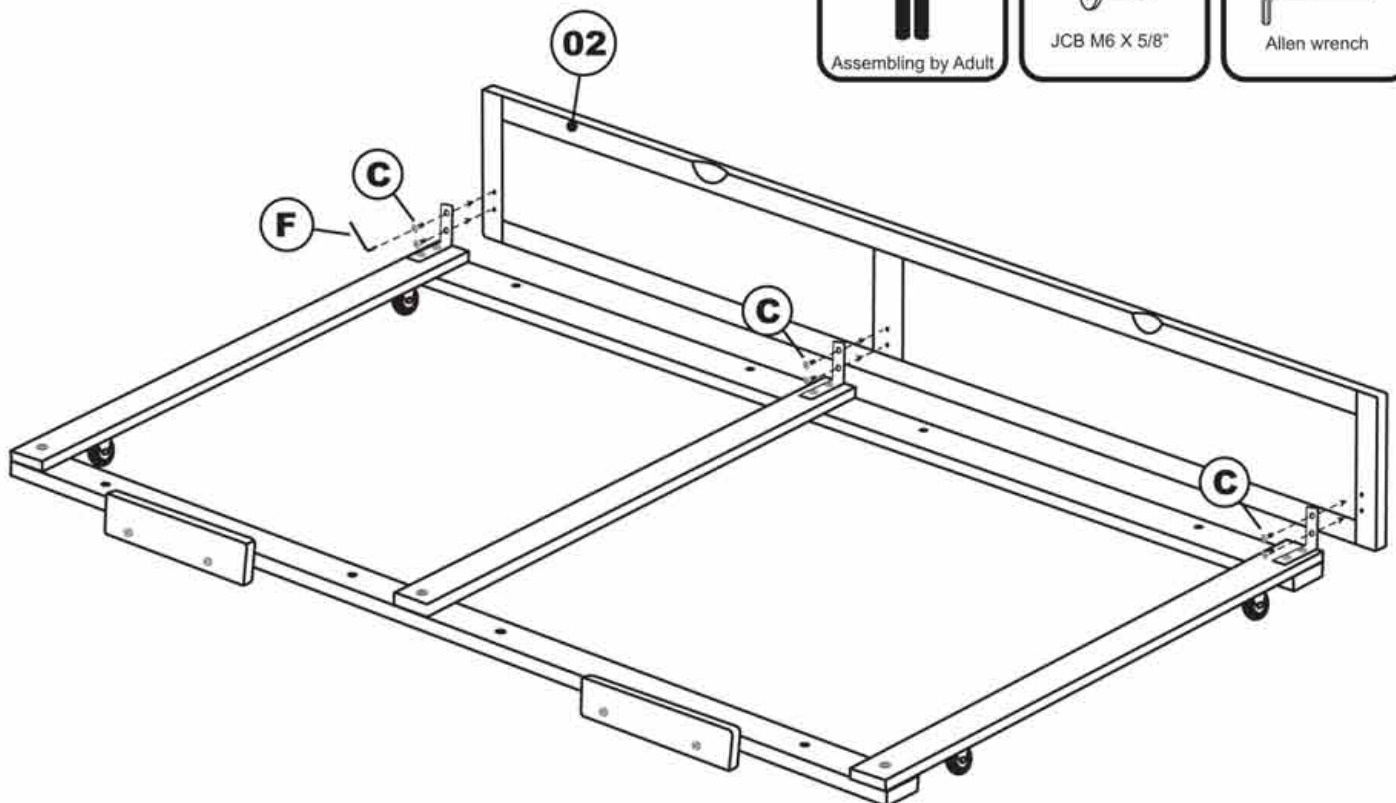
Assembling by Adult



JCB M6 X 5/8"

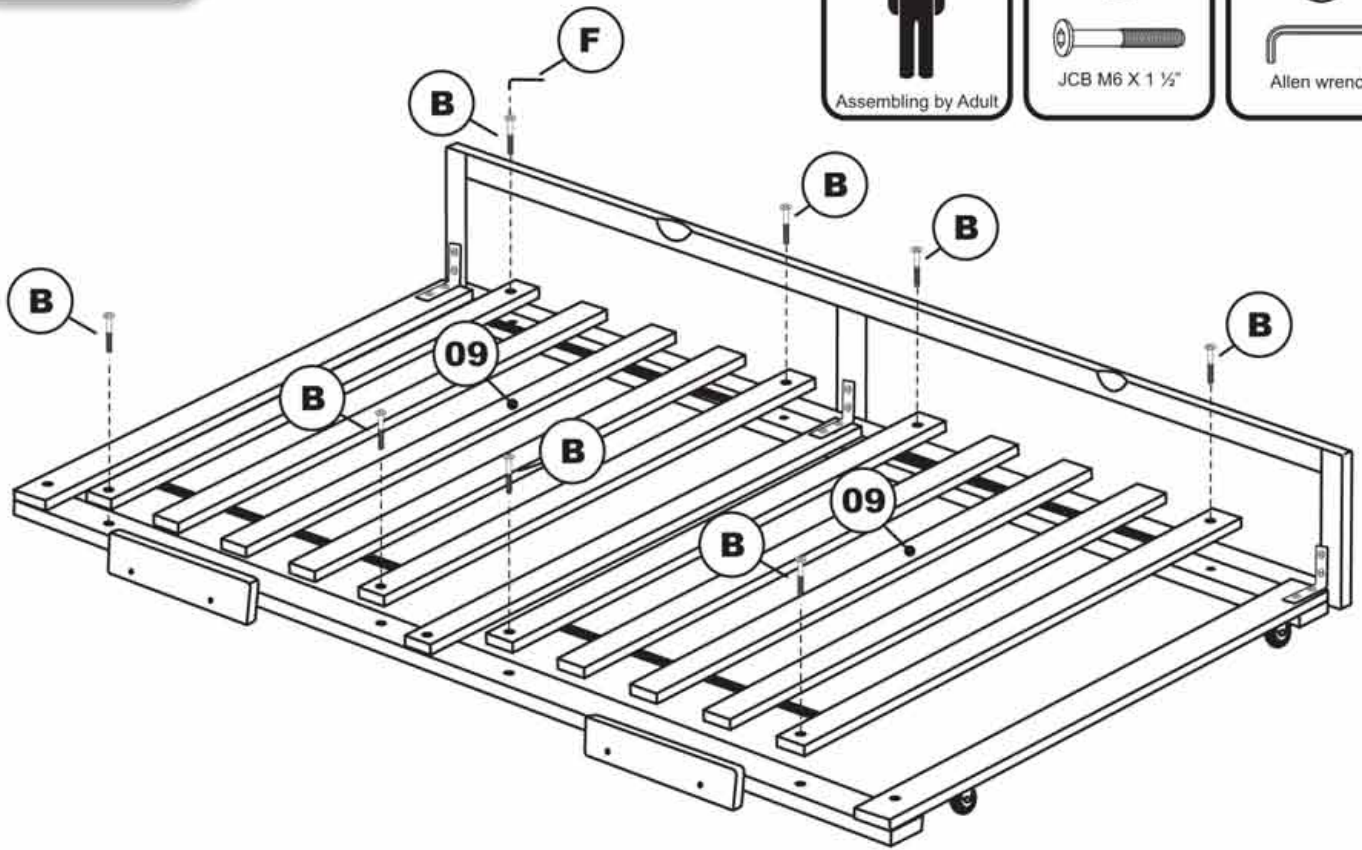
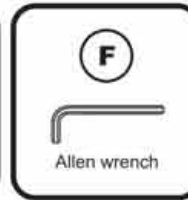
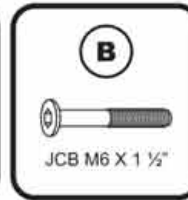


Allen wrench

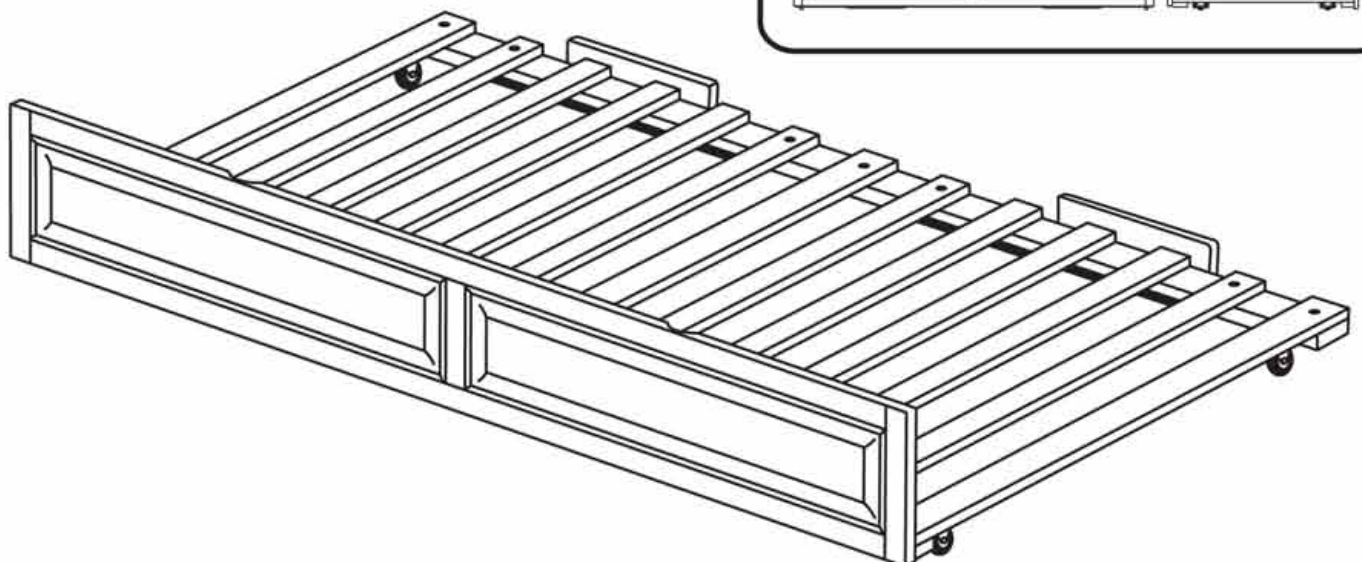
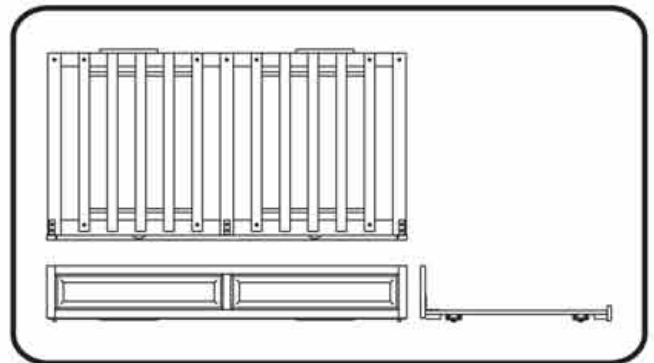


Attach the front panel (02) to assembled front rail as shown, using JCB M6 X 5/8" (C). Tighten with the Allen wrench (F).

STEP 4



Lay the slats (09) onto the bed, and fix in place. Using JCB M6 X 1 1/2"(B), tighten with the Allen wrench (F)



Congratulations !

Your Raised Panel Trundle is now ready for use.

We recommend that you recheck that all screws are tightened, and that all parts are secure before use and periodically to ensure safety.