



▲ WARNING:

Small parts and sharp points may be present prior to assembly.

Care Instructions

To clean your product, use mild soap and water on a damp cloth. Do not use window cleaners or cleaning abrasives as they will scratch the surface and could damage the protective coating.

HARDWARES:

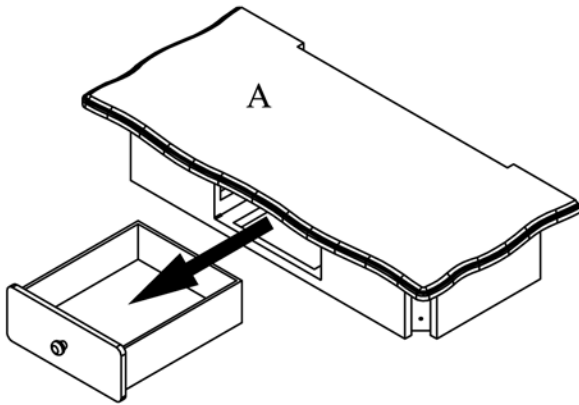


PRODUCT PARTS:

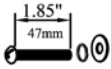
ITEM NO: KYW-5700AR

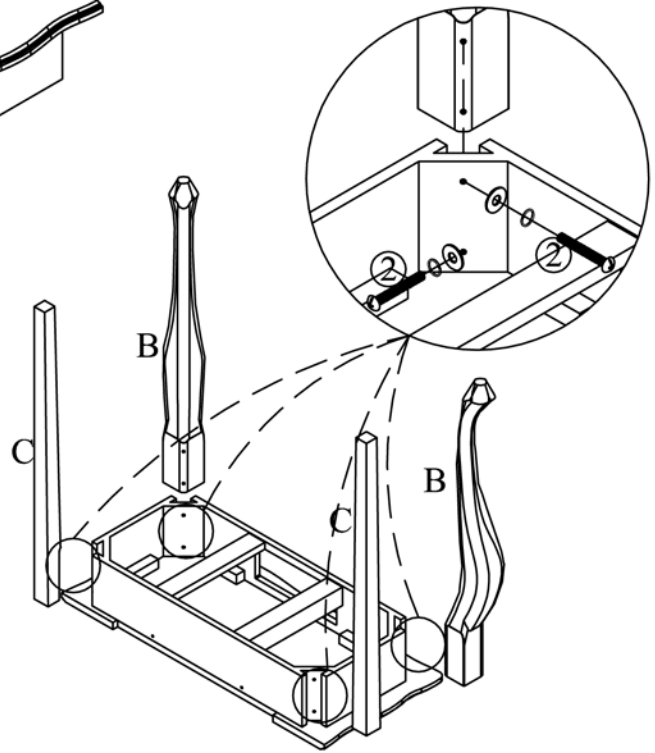
<p>A</p> <p>1PC</p>	<p>B</p> <p>2PCS</p>	<p>C</p> <p>2PCS</p>	<p>D</p> <p>1PC</p>
<p>E</p> <p>1PC</p>	<p>F</p> <p>4PCS</p>		

STEP 1

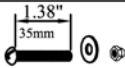


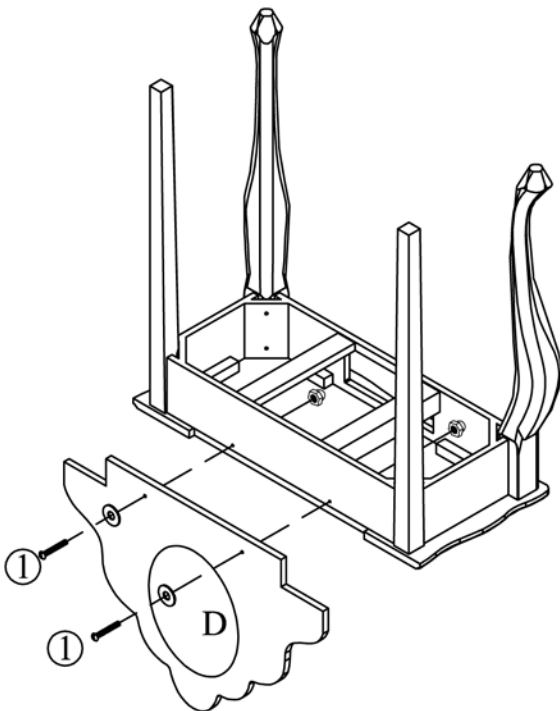
STEP 2

②  8SETS

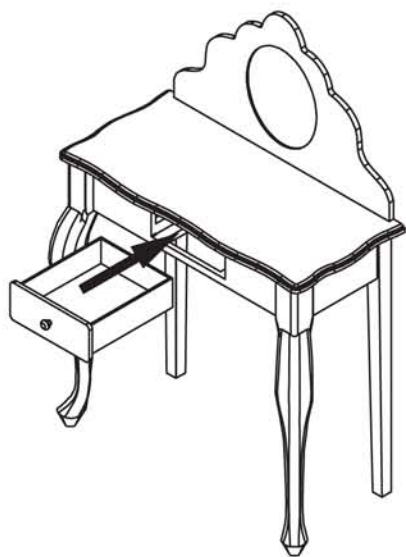


STEP 3

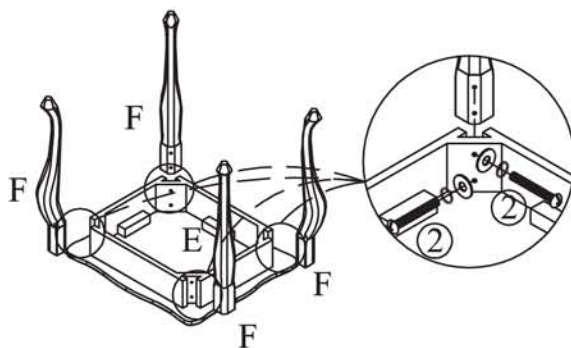
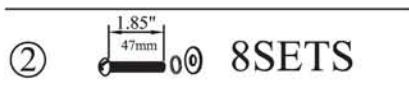
①  2SETS



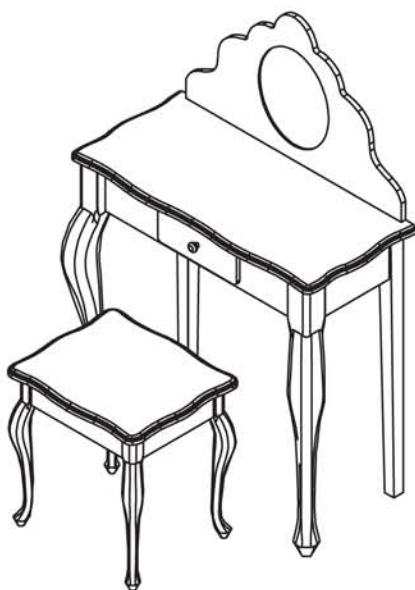
STEP 4



STEP 5



STEP 6



(Finished Product)

MADE IN CHINA