

## Assembly Instructions


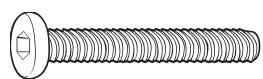
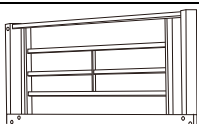
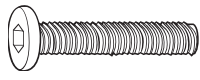
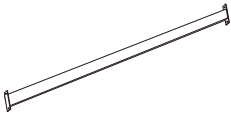
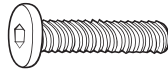

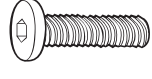

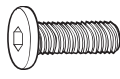
**Item Number: SBP009-1 / SBP010-1**

**Product Name: Z Bunk Bed Loft Desk**

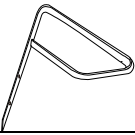
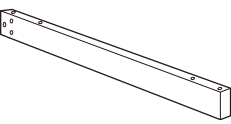
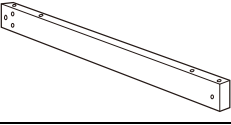
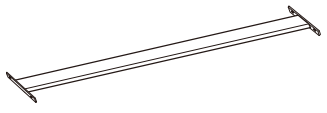
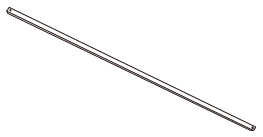



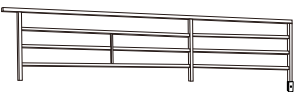
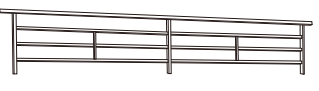

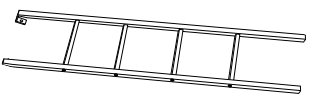
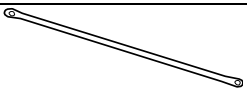
### **PRE-ASSEMBLY PREPARATION:**

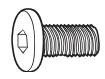
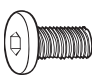
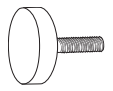
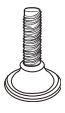
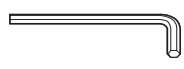
- Please check all contents of this package before attempting to assemble the product. A full checklist of components is provided. If any components are missing, please contact the retailer from whom you have purchased this product.
- Read the Assembly Instructions in full before you begin to assemble.
- Please use CAUTION AND CARE WHEN LIFTING the product to avoid personal injury and (or) damage to the product.
- Two people are required to assemble this product.
- Assemble this product on a flat surface.
- This bed must be built in the room intended for use.
- Because of the size of this unit, it is recommended to assemble it in the room intended for use.
- The hardware packet contains SMALL ITEMS which should be KEPT AWAY FROM CHILDREN.
- Retain assembly instruction for future reference.

### **Parts and Fittings Identification:**

CODE	PARTS	QTY	CODE	FITTINGS	QTY
A	 (with sticker label 'L')	1PC	1	 M6 x 60mm	5PCS
B	 (with sticker label 'R')	1PC	2	 M6 x 45mm	3PCS
C		2PCS	3	 M6 x 40mm	1PC
D		2PCS	4	 M6 x 35mm	2PCS
E		2PCS	5	 M6 x 25mm	4PCS

**Parts Identification (cont.):**

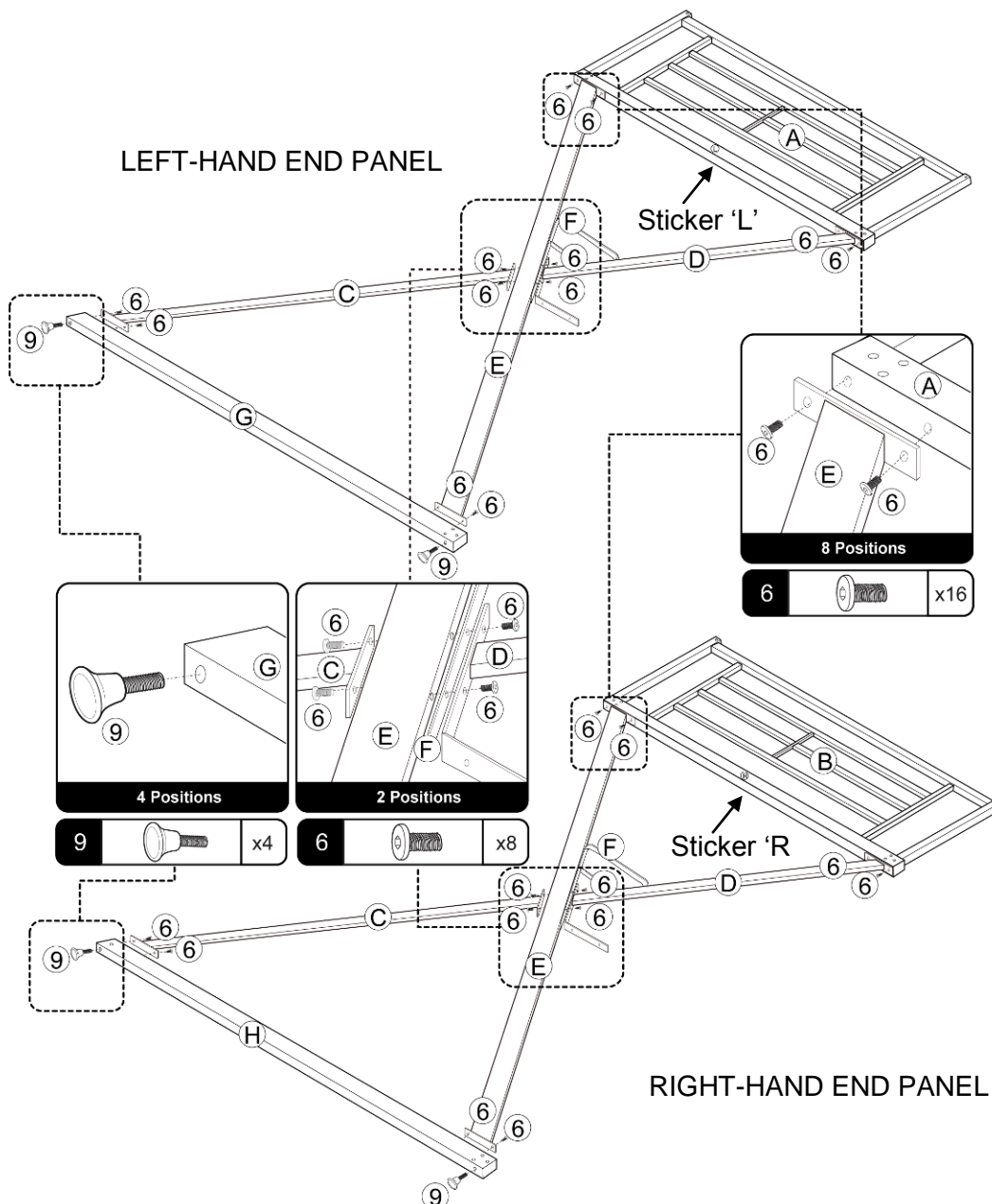
CODE	PARTS	QTY
F		2PCS
G		1PC
H		1PC
I		2PCS
J		2PCS
K		1PC
L		1PC
M		1PC
N		1PC
O		1PC
P		1PC
Q		1PC
R		1PC

CODE	FITTINGS	QTY
6	 M6 x 15mm	50PCS
7	 M6 x 12mm	6PCS
8		8PCS
9		4PCS
10	 4mm	1PC

## Step By Step Assembly Instructions

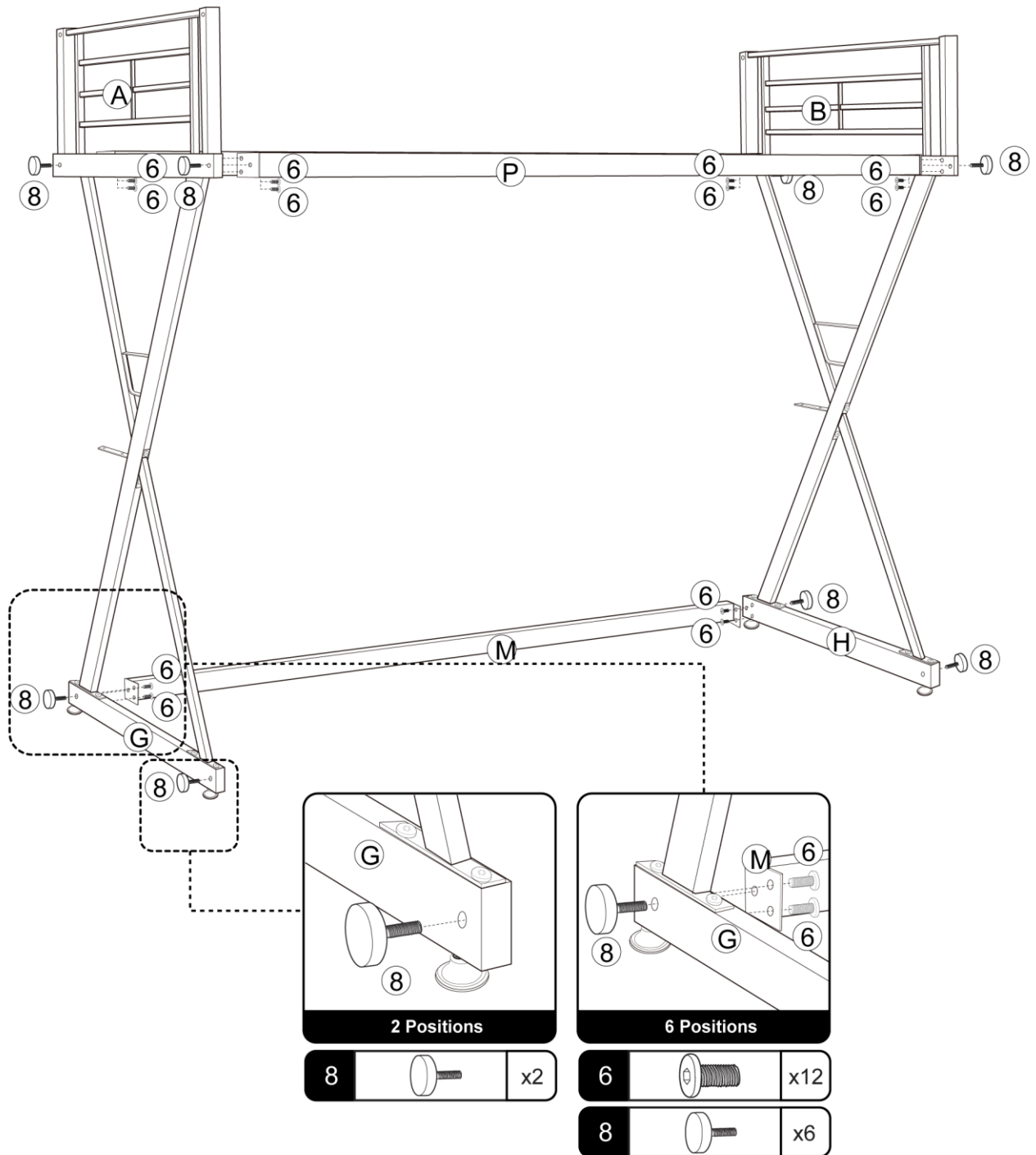
### Step 1:

- Lay all parts flat on a soft surface on the floor to avoid damaging any of the parts.
- Note:** Identify & correctly position the side safety rail (A) & (B) by looking for the sticker label 'L' & 'R'.
- Position the left side safety rail (A), long side rail (E), bottom left side rail (G), lower side rail (C), upper side rail (D) and side bracket (F) as shown.
- Attach the bracket (F) and upper side rail (D) to long side rail (E) using bolts (6).
- Attach the lower side rail (C) to long side rail (E) using bolts (6).
- Attach the long side rail (E) and upper side rail (D) to left side safety rail (A) using bolts (6).
- Attach the long side rail (E) and lower side rail (C) to bottom left side rail (G) using bolts (6).
- Attach adjustable glides (9) to bottom left side rail (G) as shown.
- Tighten all bolts using allen key (10) provided.
- Repeat above steps to complete the right-hand end panel using the right side safety rail (B), and bottom right side rail (H).



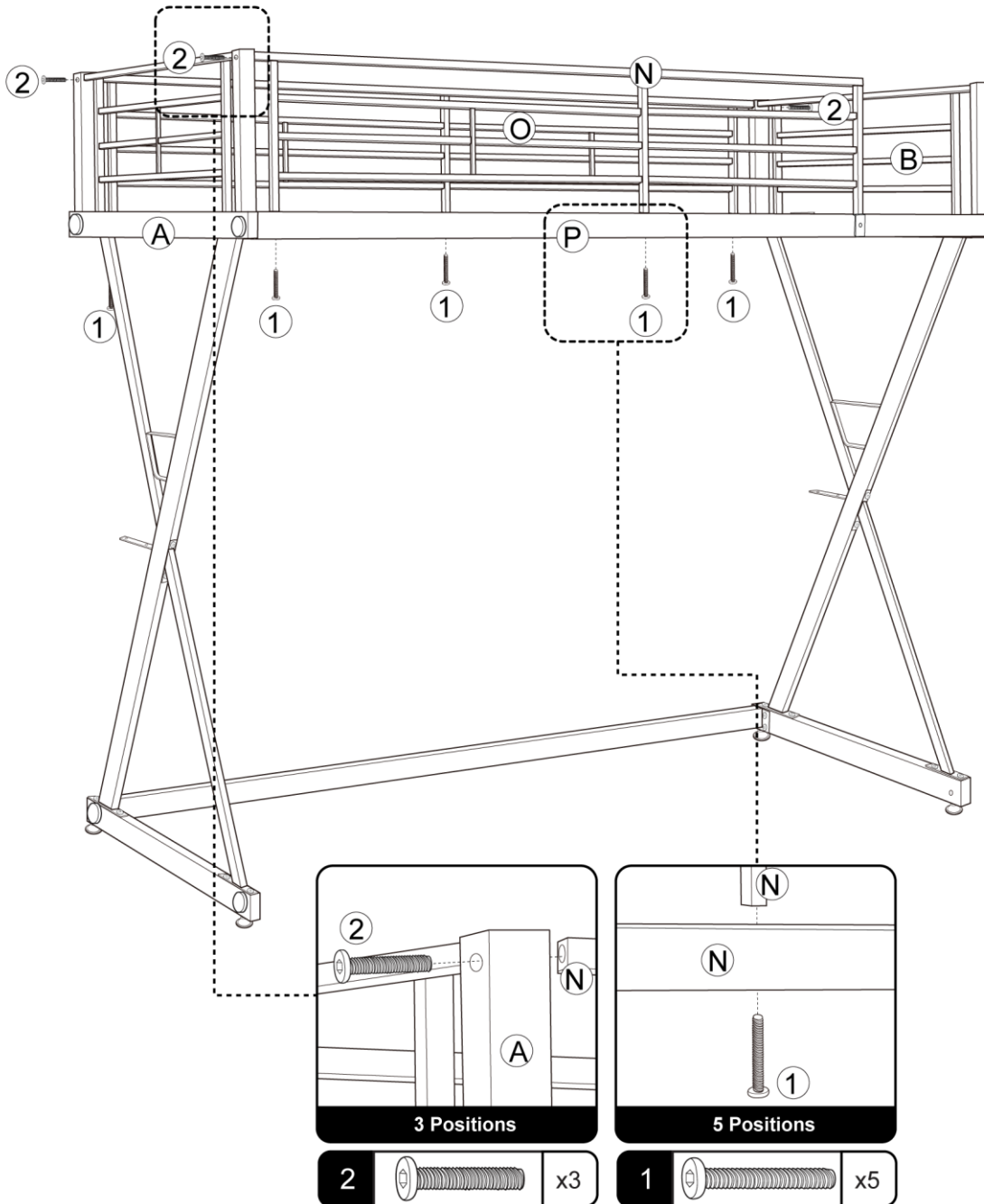
**Step 2:**

- With the help of an assistant, position the left and right end panels as shown and attach the bed slat (P) using bolts (6) and knobs (8).
- Attach the bottom back rail (M) to left and right end posts using bolts (6) and knobs (8).
- Attach knobs (8) to front of bottom side rails (G) and (H) as shown.
- Tighten all bolts using allen key (10) provided.



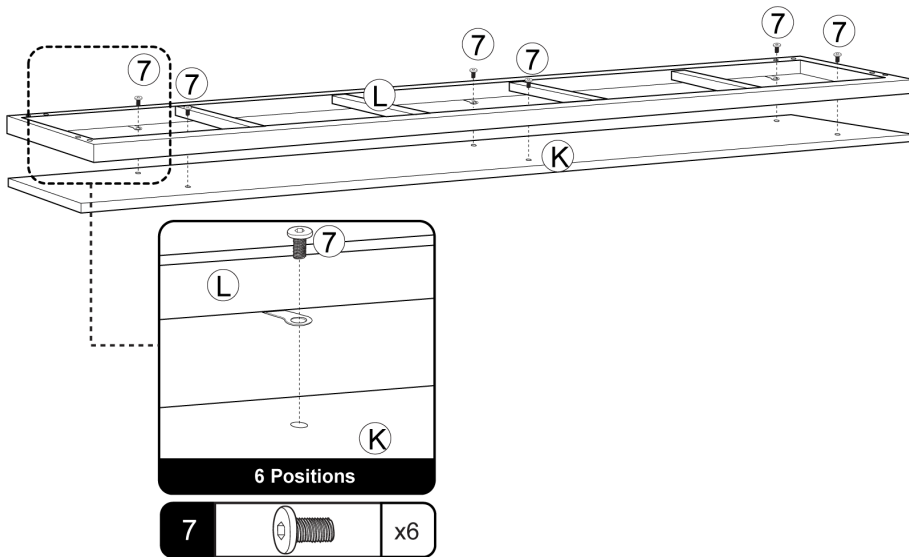
**Step 3:**

- Attach the back safety rail (O) as shown. Secure it to side safety rails (A) & (B) using bolts (2) then secure it to the bed slats (P) using bolts (1).
- Attach the front safety rail (N) as shown. Secure it to the left side safety rail (A) using bolt (2) then secure it to the bed slats (P) using bolts (1).
- Tighten all bolts using allen key (10) provided.



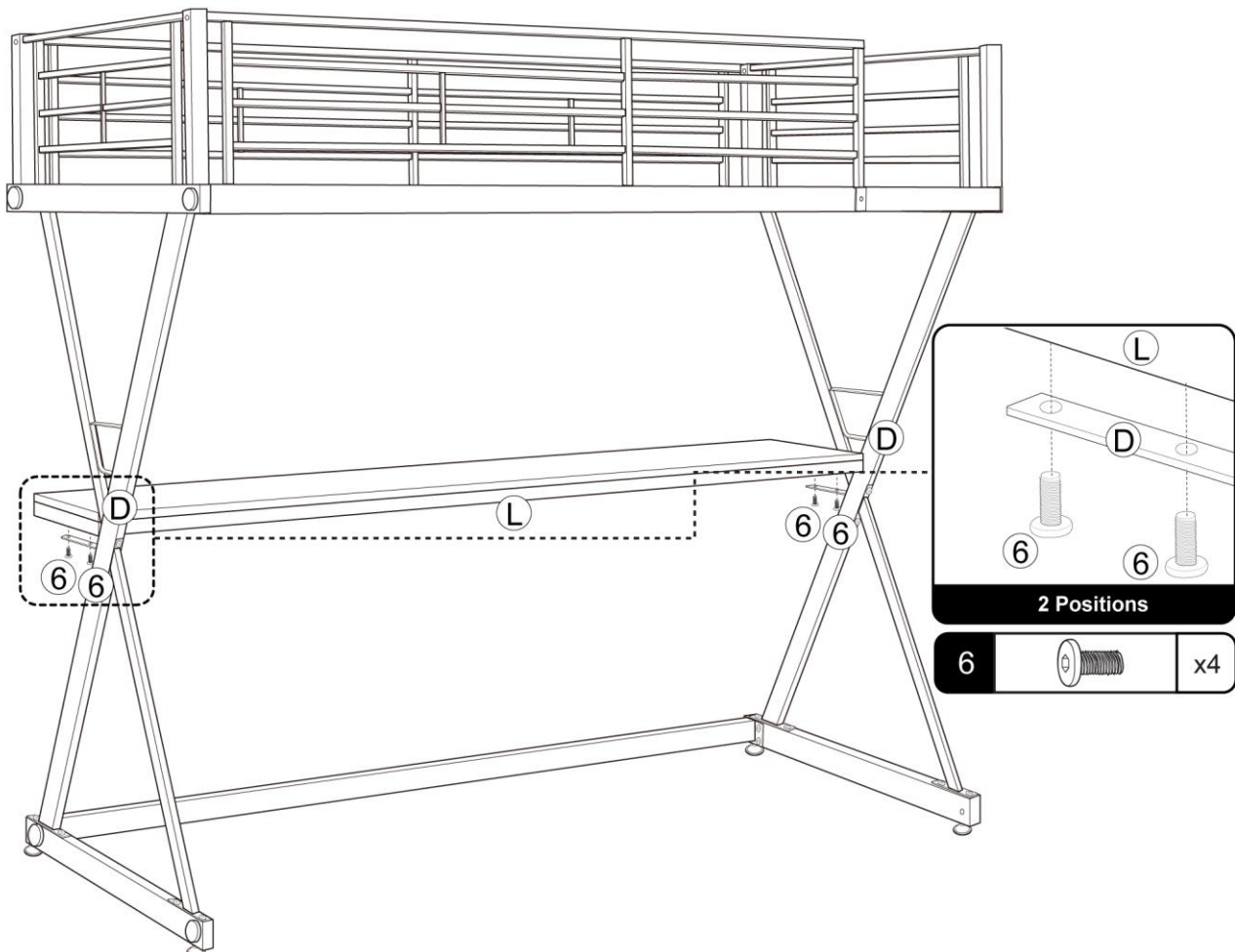
**Step 4:**

- Position the table top panel (K) face down on a protected surface. Assemble the table frame (L) onto table top panel (K) using bolts (7) as shown. Tighten all bolts using allen key (10) provided.



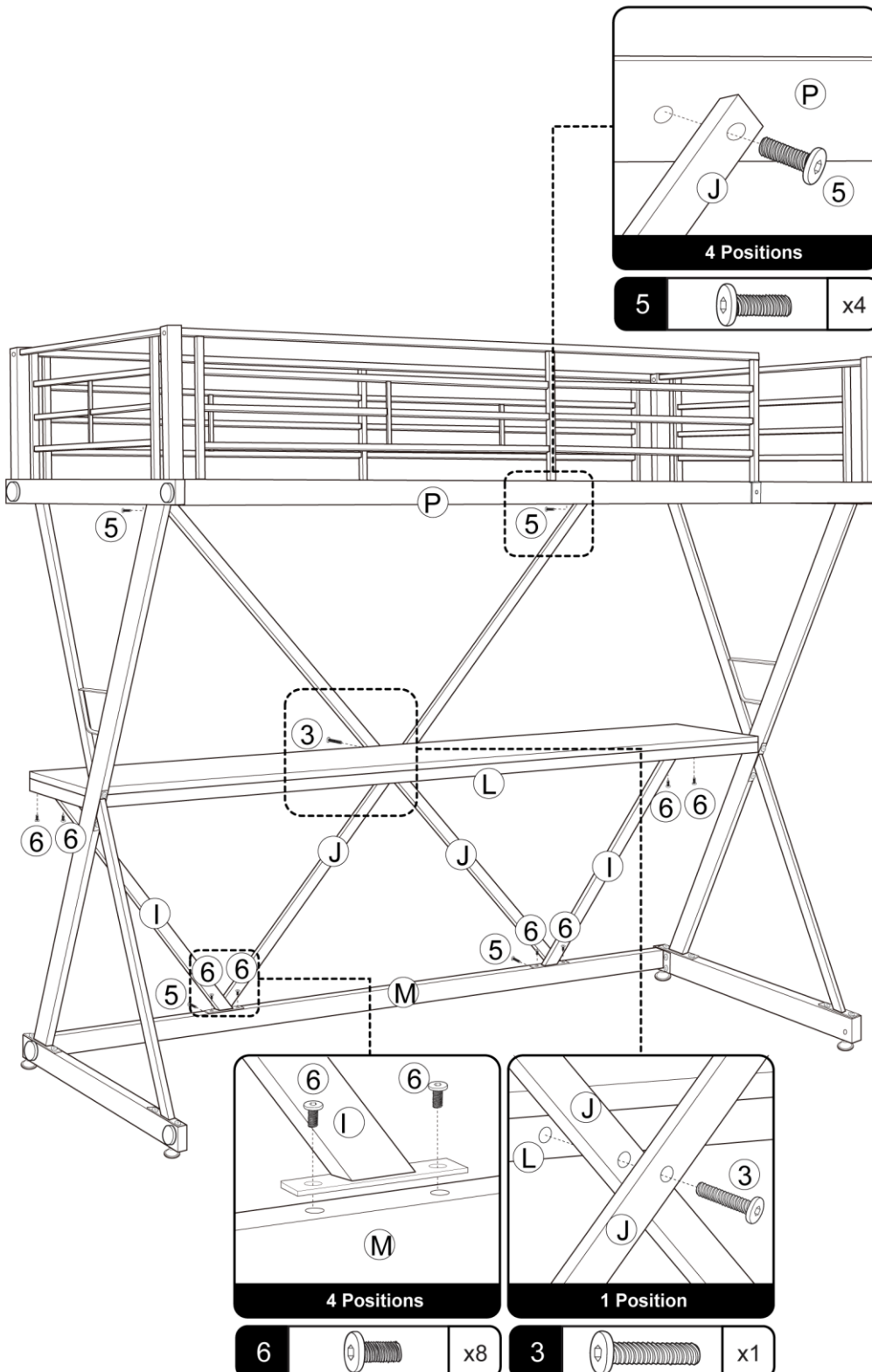
**Step 5:**

- With the help of an assistant position the assembled table top onto the upper side rails (D). Secure the table frame (L) to upper side rails (D) using bolts (6). Tighten all bolts using allen key (10) provided.



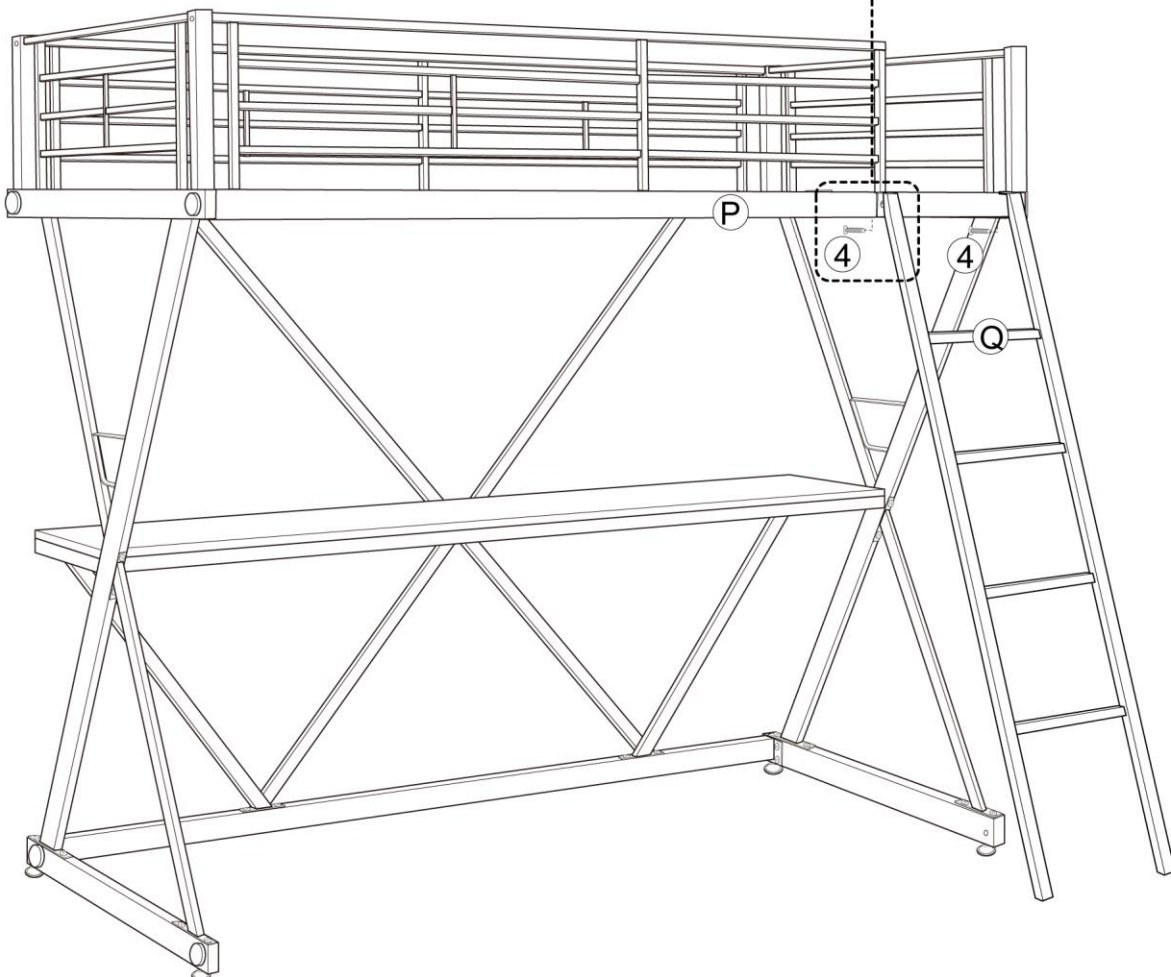
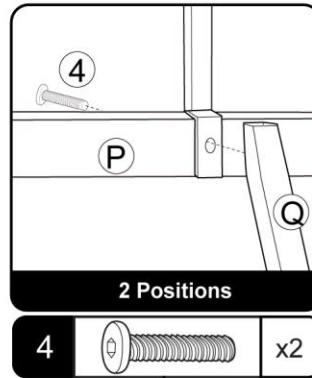
**Step 6:**

- Position the two short back rails (I) diagonally as shown and attach the ends to lower back rail (M) and table frame (L) using bolts (6).
- Position the two long back rails (J) diagonally as shown and attach the ends to lower back rail (M) and bed slat (P) using bolts (5).
- Then secure the two intersecting long back rails (J) to table frame (L) using bolt (3).
- Tighten all bolts using allen key (10) provided.



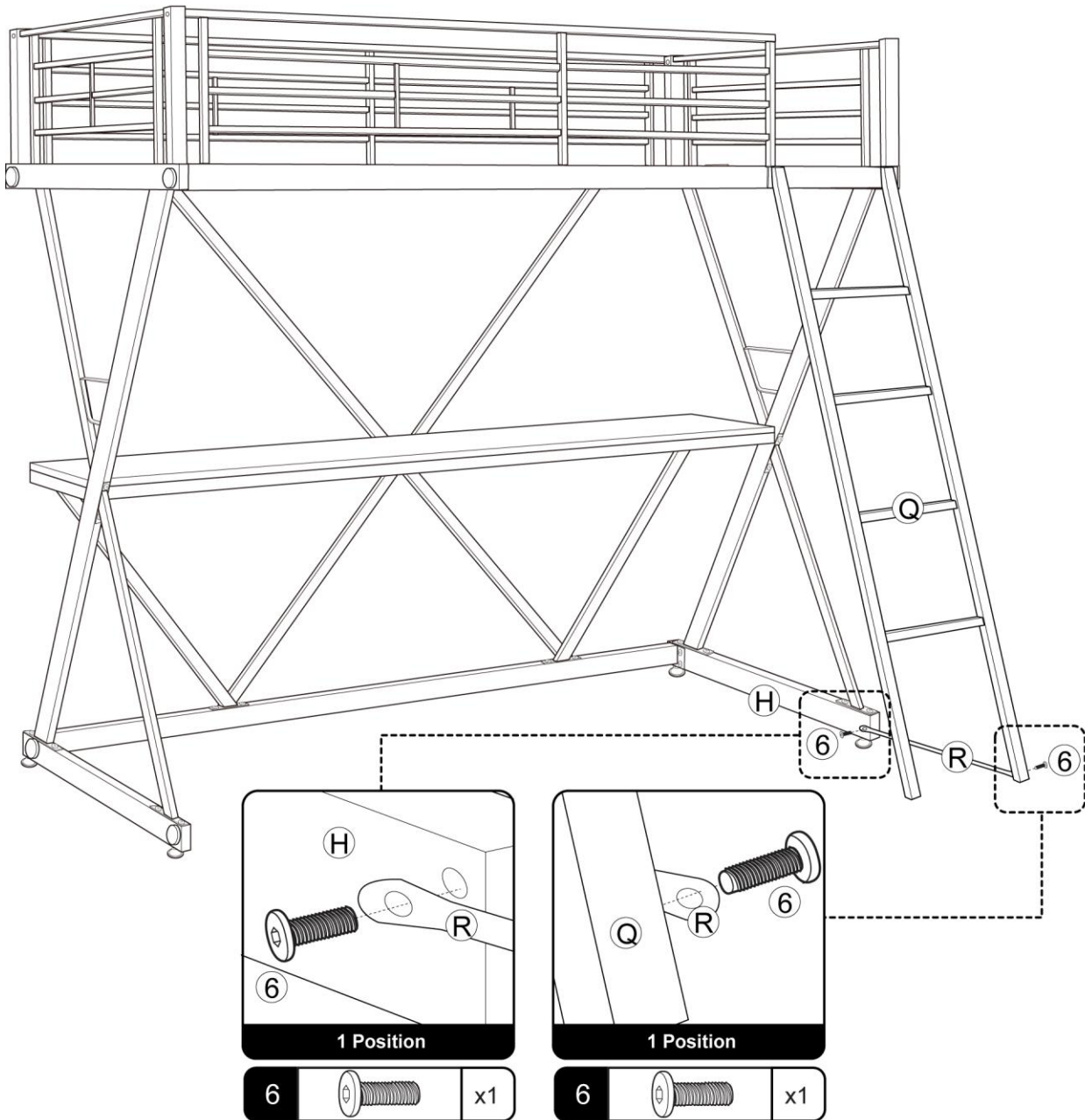
**Step 7:**

- Position the ladder (Q) to front of bed slat (P) as shown.
- Attach the left side rail of ladder (Q) to bed slat (P) and front safety rail (N) and secure with bolt (4).
- Attach the right side rail of ladder (Q) to bed slat (P) using bolt (4).
- Tighten all bolts using allen key (10) provided.



**Step 8:**

- Attach the ladder brace (R) to the bottom right side rail (H) and right side rail of ladder (Q) as shown and secure with bolts (6). Tighten bolts using allen key (10).



Assembly for the bunk bed is complete.

