

MID SLEEPER- ASSEMBLY INSTRUCTIONS

1/4

Important

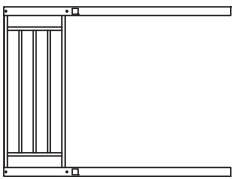
- 1- Because of the size of this unit we recommend that it be built in the room intended for use and that it be built by two people.**
- 2- Please note the top bunk is not intended for children under 6 years of age.**

1. We suggest that you spend a short time reading through these instructions and follow the sample step by step example.
2. Do not discard any of the packaging until you have checked that you have all the parts and fittings.
3. Assemble this product on a flat surface.
4. Assemble all parts loosely before tightening any bolts.
over-tightening the bolts or screws can damage the product or fittings.

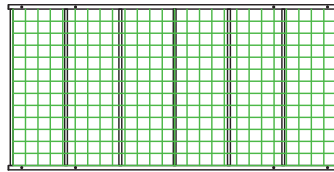
Component parts and fittings contained in the box

PARTS LIST

1. (hb & fb) - 2 PCS.



2. - 1 PC.



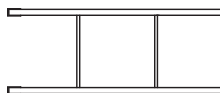
3. - 1 PC.



4. - 1 PC.



5. - 1 PC.



FITTINGS

A. M8 x 95 - 4 PCS.



D. - 4 PCS.



I -Ø25- 4 PCS.



L- 5 PCS.



B. M6 x 70 - 7 PCS.



E. -M6X13- 1 PC.



J. - 1 PC.



C. M6 x 50- 1 PC.



H -Ø50- 4 PCS.



K. - 1 PC.

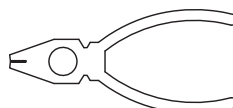


TOOLS FOR ASSEMBLY

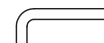
Philips head screw driver
(not provided)



Pliers (not provided)

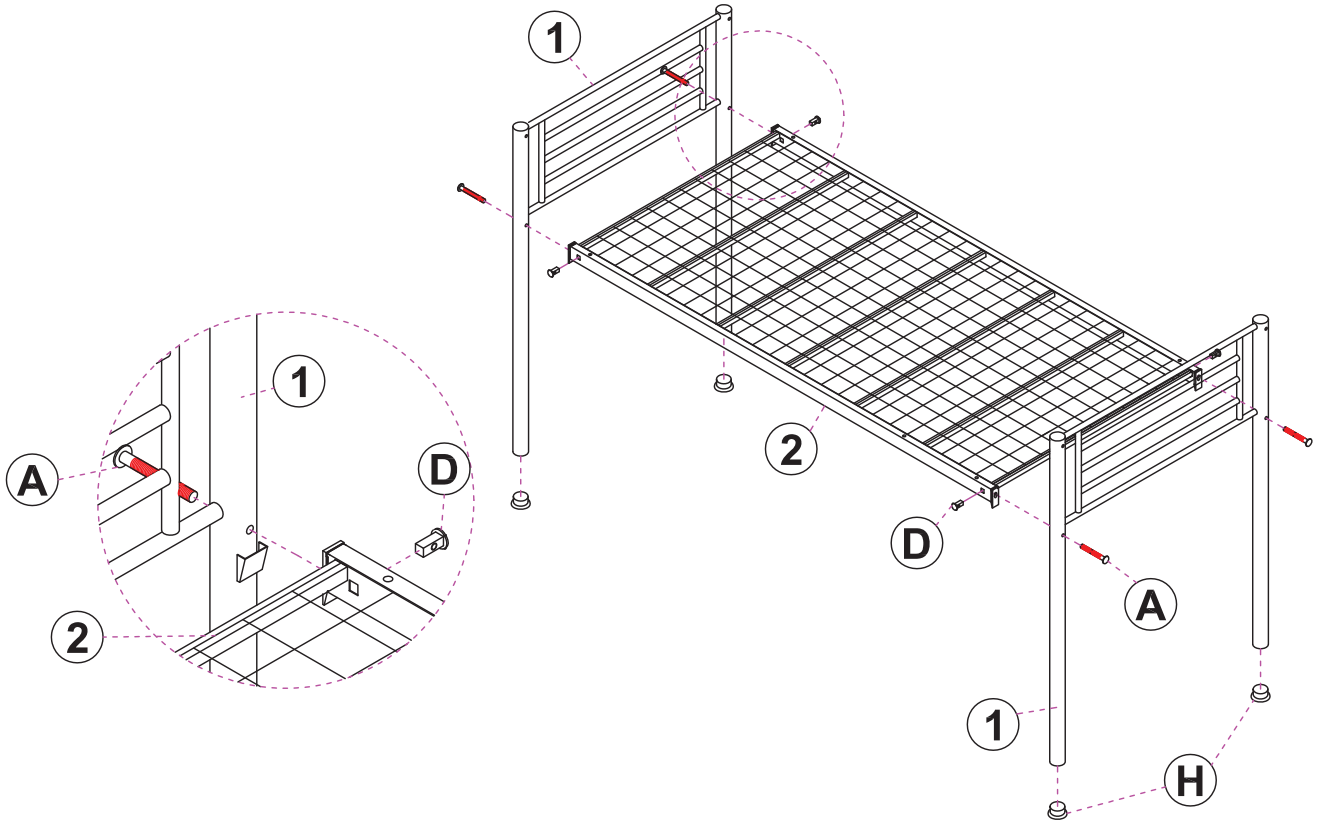


Allen wrench (Provided)



MID SLEEPER- ASSEMBLY INSTRUCTIONS

1



2

